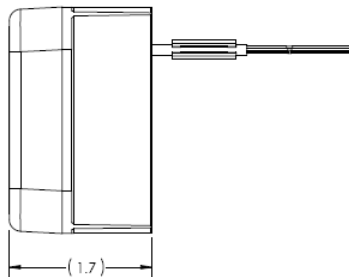
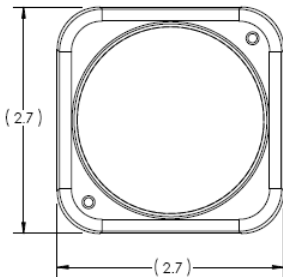
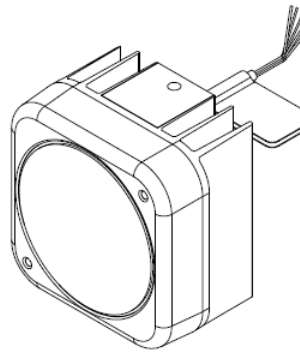
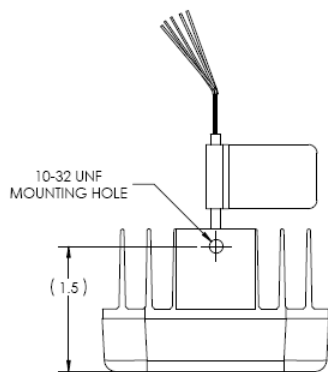




Product Datasheet

Sunray Plus Landing/Taxi/Recognition Light



Voltage Range: 9-36VDC
 Current Draw at 12VDC: 1.4 Amps Max
 Power Consumption: 17 Watts Max
 Pulse Light Feature: Built In
 Wig Wag Sync: Built In
 Thermal Protection: Built In
 Candela: 25,000+
 Beam Angle: 10 Degrees
 Total LED Lumens: 1000+
 LED Count: 1

Height: 2.7"
 Width: 2.7"
 Depth: 1.7"
 Weight: 5 Oz
 Heat Sink Material: Black Anodized Aluminum
 Lens Material: Polycarbonate
 Screw Mount: 10-32 Lug or 2x 6-32 Face
 Rated Life: 50,000 Hours
 Temperature Range: -55C to +70C