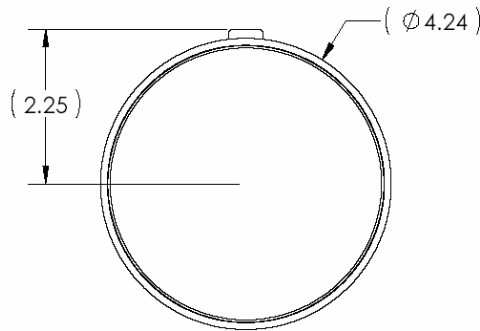
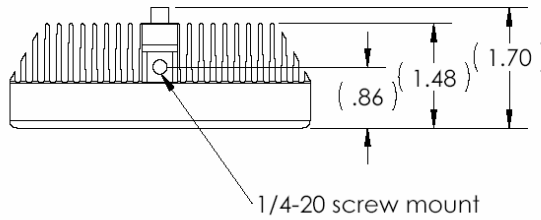
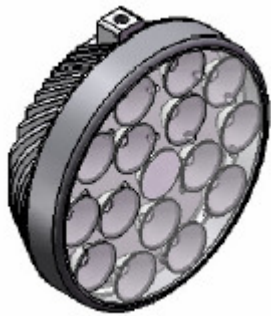




Product Datasheet

SunSpot Landing/Recognition Light



Voltage Range:	9-36VDC	Height:	4.25" Diameter (round)
Current Draw at 12VDC:	3 Amps Max	Width:	4.25" Diameter (round)
Power Consumption:	36 Watts Max	Depth:	1.48"
Pulse Light Feature:	Built In	Weight:	13.5 Oz
Wig Wag Sync:	Built In	Heat Sink Material:	Black Anodized Aluminum
Thermal Protection:	Built In	Lens Material:	Polycarbonate
Narrow Lens Candela:	30,000+	Lens Protection:	UV Resistant Hard Coat
Wide Lens Candela:	10,000+	Clamp Mount Option:	PAR 36 Ring Clamp
Narrow Lens Beam Angle:	10 Degrees	Screw Mount Option:	1/4-20 Machine Screw
Wide Lens Beam Angle:	30 Degrees	Rated Life:	50,000 Hours
Total LED Lumens:	2000+	Temperature Range:	-55C to +70C
LED Count:	16		