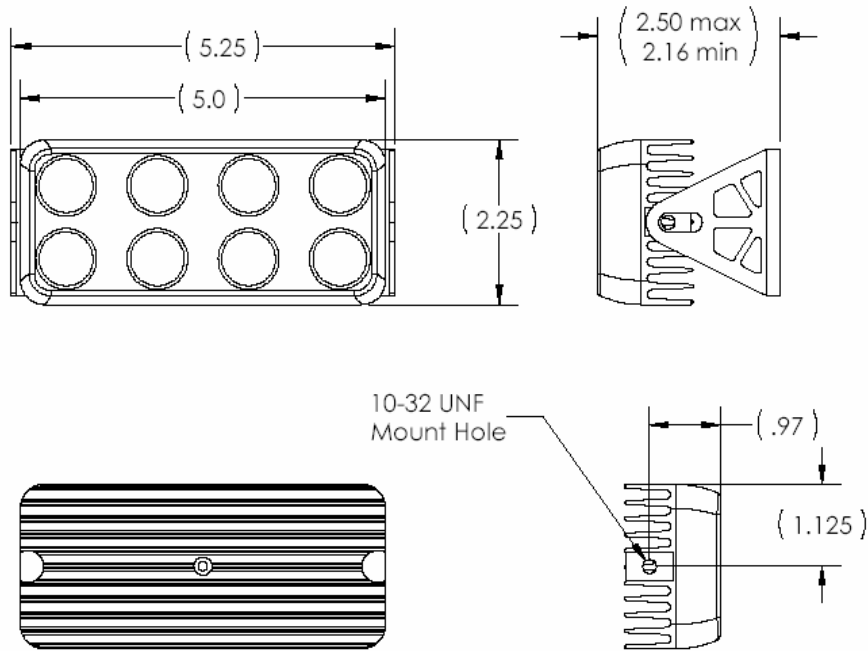




Product Datasheet

AeroSUN 1600 Landing/Taxi/Recognition Light



Voltage Range: 9-36VDC
 Current Draw at 12VDC: 2 Amps Max
 Power Consumption: 24 Watts Max
 Pulse Light Feature: Built In
 Wig Wag Sync: Built In
 Thermal Protection: Built In
 Candela: 15,000+

Beam Angle: 13 Degrees
 Total LED Lumens: 1000+
 LED Count: 8

Height: 2.25"
 Width: 5"
 Depth: 1.4"
 Weight: 10 Oz
 Heat Sink Material: Black Anodized Aluminum
 Lens Material: Polycarbonate
 Screw Mount: Two 10-32 Machine Screws
 Rated Life: 50,000 Hours
 Temperature Range: -55C to +70C

