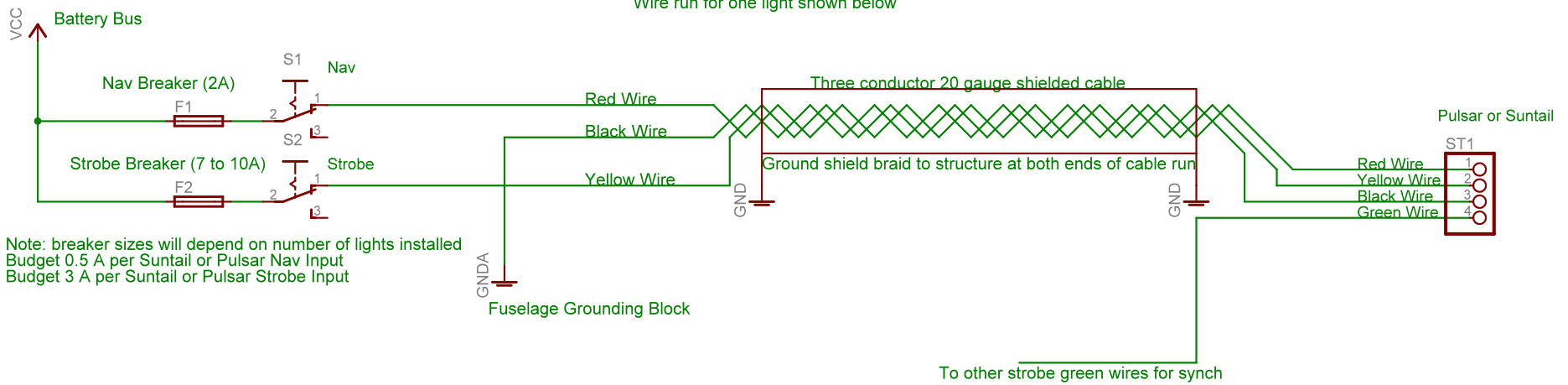


Recommended Wiring for Pulsar and Suntail Lights
Wire run for one light shown below



Note: breaker sizes will depend on number of lights installed
Budget 0.5 A per Suntail or Pulsar Nav Input
Budget 3 A per Suntail or Pulsar Strobe Input