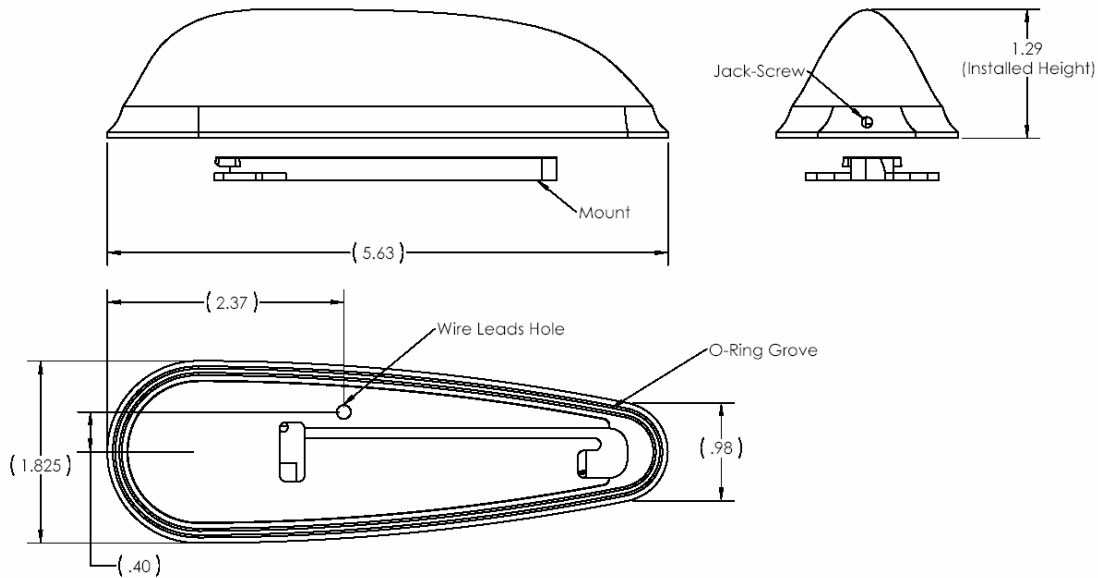




## Product Datasheet Pulsar EXP Nav/Position/Strobe Light



Voltage Range:	9-36VDC	Length:	5.63"
Current Draw at 12VDC:	1 Amp Avg / 2.5 Amps Peak	Width:	1.85"
Power Consumption:	13 Watts Avg	Depth:	1.3"
Strobe Power Supply:	Built In	Weight:	4 Oz
Strobe Synchronization:	Built In	Heat Sink Material:	Clear Anodized Aluminum
Thermal Protection:	Built In	Lens Material:	Polycarbonate
Position Light:	FAR Compliant	Screw Mount:	3x 6-32 Machine Screws
Strobe:	FAR Class 1 Equivalent	Rated Life:	50,000 Hours
LED Count:	16	Temperature Range:	-55C to +70C

